

SPECIFICATIONS

Power Amplifier Section

Continuous Power Output	40 W + 40 W
Min. RMS power per channel into 8 ohms from 20 to 20 kHz at rated T.H.D. both channels driven	(T.H.D. 0.06%)
Both Channels Driven, at 1000 Hz, 1% Distortion, 4 ohms	50 W + 50 W
Intermodulation Distortion	no more than 0.06%
Total Harmonic Distortion At rated power into 8 ohms.	0.06%
Power Bandwidth, IHF	10 Hz to 35 kHz
Damping Factor, at 8 ohms	40

Preamplifier Section

Input Sensitivity/Impedance

PHONO	2.2 mV/47 kohms
AUX	150 mV/39 kohms
TUNER	150 mV/39 kohms
TAPE	150 mV/39 kohms

PHONO Overload Level 120 mV

Output Level/Impedance 120 mV/2.2 kohms

Frequency Response

PHONO (RIAA)	± 0.5 dB (30 Hz to 15 kHz)
AUX, TAPE	± 1.0 dB (20 Hz to 20 kHz)

Tone Control

BASS	± 10 dB (70 Hz)
TREBLE	± 10 dB (10 kHz)

Loudness Control, at -30 dB
 $+10$ dB (70 Hz)
 $+ 5$ dB (10 kHz)

Subsonic Filter 15 Hz, 6 dB/oct.

Signal to Noise Ratio, IHF A network

PHONO	80 dB
AUX	95 dB
TUNER	95 dB
TAPE	95 dB

General

Power Requirement AC 220/240 V,
50/60 Hz

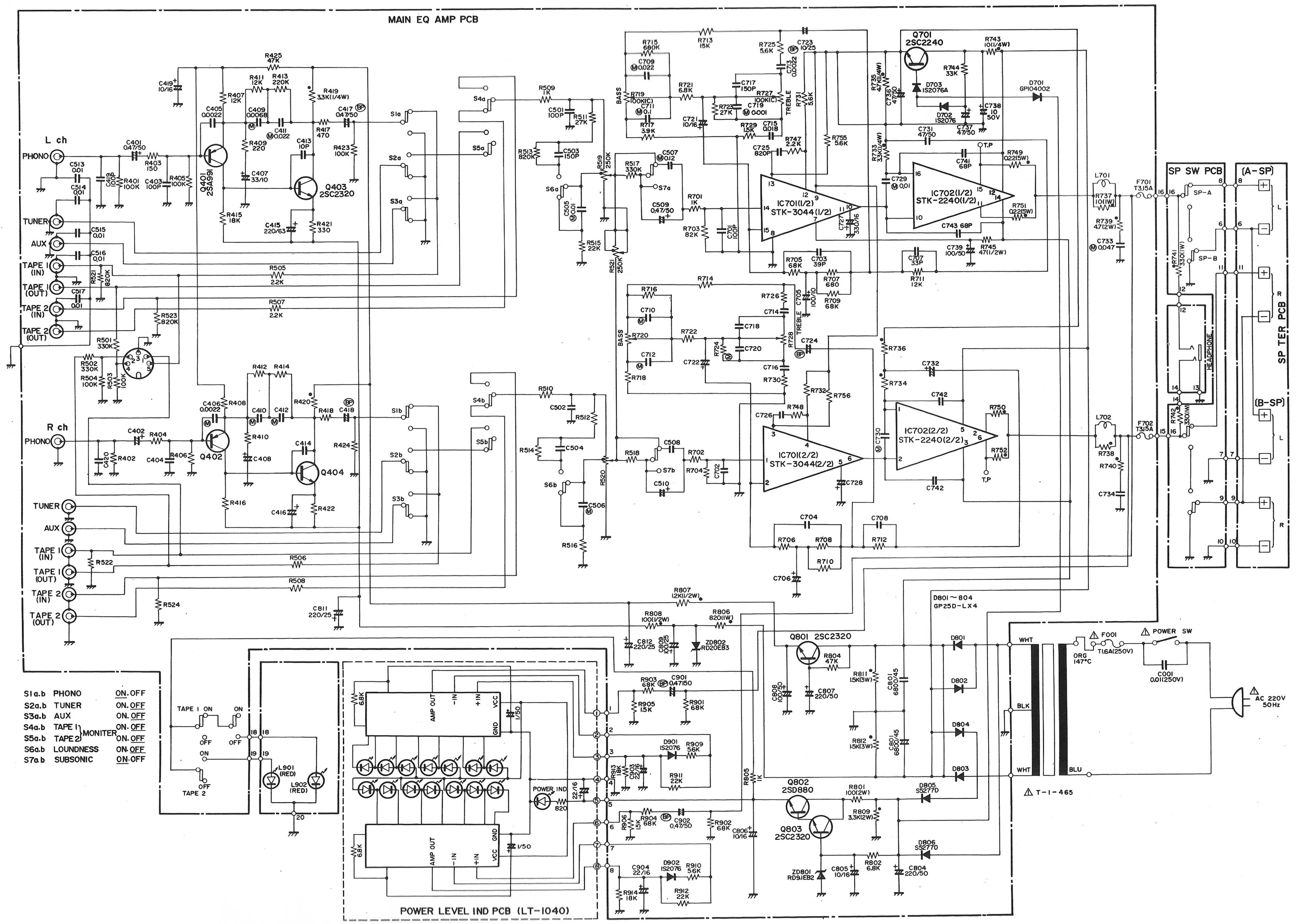
Power Consumption 290 W

Dimensions

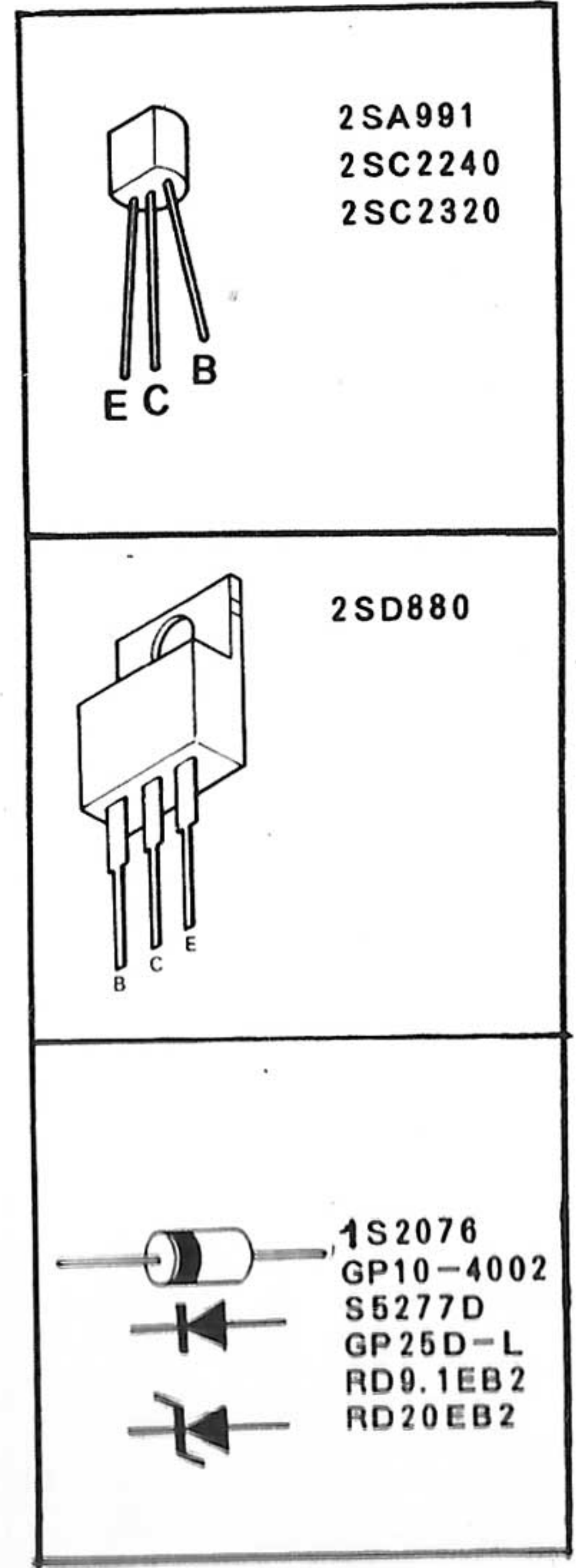
Width	440 mm
Height	96 mm
Depth	285 mm

Weight, without package 5.8 kg (12.7 lbs)

*Specifications and design are subject to change without notice.



SEMICONDUCTORS



- S1a,b PHONO ON/OFF
- S2a,b TUNER ON/OFF
- S3a,b AUX ON/OFF
- S4a,b TAPE 1 MONITOR ON/OFF
- S5a,b TAPE 2 ON/OFF
- S6a,b LOUDNESS ON/OFF
- S7a,b SUBSONIC ON/OFF

NOTES:

1. SCHEMATIC IS SUBJECT TO CHANGE WITHOUT NOTICE.
2. RESISTANCE VALUES ARE IN OHMS.

- K = 1,000; M = 1,000,000
3. CAPACITANCE VALUES 1.0 AND ABOVE ARE IN pF OR μF (P = pF, M = μF), LESS THAN 1.0 ARE IN μF. (ELECTROLYTIC CAPACITANCE VALUES ARE IN μF/WV.)

SCHEMATIC SYMBOLS:

- Ⓜ POLYESTER FILM CAPACITOR
- Ⓟ BIPOLAR CAPACITOR
- NONFLAMMABLE RESISTOR

WARNING:

- ⚠ INDICATES SAFETY CRITICAL COMPONENTS. FOR CONTINUED SAFETY, REPLACE SAFETY CRITICAL COMPONENTS ONLY WITH MANUFACTURER'S RECOMMENDED PARTS.